

## **XY-2A**

Hookstick Operated  
Disconnect Switches  
2000 - 3500 Amp

### **Reliable, High Current Hooksticks**

The XY-2A is a high amperage disconnect switch, manually operated by utility personnel with a hookstick. It is available with a single, trussed blade or a double-blade design based on utility specification and proven to provide outstanding trouble-free, low-operating effort performance. All models meet or exceed ANSI or NEMA standards.

#### **FEATURES**

- Safe, low effort opening and closing
- Switch cannot be opened by vibration or electrical forces
- Solid, one-piece copper jaw with “floating shoe” design for multiple contact points
- Silver-to-silver contacts

#### **SPECIFICATIONS**

**Maximum Voltage Ratings**

8.3 kV – 38 kV

**Continuous Current Rating**

2000A / 3000 A / 3500 A

**Short Time Current (3 Sec)**

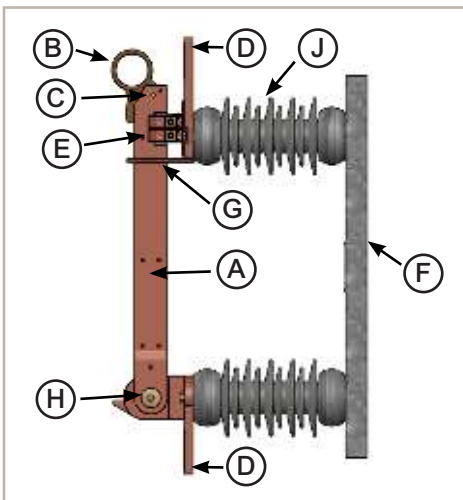
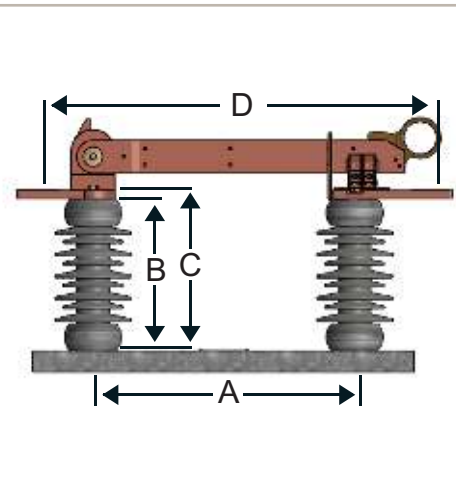
63 kA / 75 kA / 50 kA

**Peak Withstand Current**

164 kA / 195 kA / 130 kA

# XY-2A

Hookstick Operated  
Disconnect Switches  
2000 - 3500 Amp



## RATINGS

Maximum Voltage Rating	8.3 kV - 38 kV		
Amperage	2000 A	3000 A	3500 A
Short Time	63 kA, 3 sec	75 kA, 3 sec	50 kA
Peak	164 kA	195 kA	130 kA

## DIMENSIONS

Amperage	2000A				3000A - 3500A			
Dimensions (in)	A	B	C	D	A	B	C	D
8.3 kV	12	7½	8 <sup>5</sup> / <sub>16</sub>	24	12	7½	8½	24¾
15.5 kV	15	10	10 <sup>13</sup> / <sub>16</sub>	27	15	10	11	27¾
27 kV	18	14	14 <sup>13</sup> / <sub>16</sub>	30	18	14	15	30¾
38 kV	24	18	18 <sup>13</sup> / <sub>16</sub>	36	24	18	19	36¾

## CONSTRUCTION

- A – Switch blade: hard drawn copper
- B – Operating eye: cast bronze
- C – Latch: cast bronze
- D – Hinge and Jaw: one piece, formed copper with tinned terminal pad
- E – Jaw contacts: silver to silver. Hinge contacts: silver to silver
- F – Switch base: hot dipped galvanized steel channel
- G – Jaw contact pressure and operating eye springs: stainless steel
- H – Bronze, heavy duty Belleville spring washers supply hinge contact pressure
- J – NEMA standard post insulators, or as specified

Note: Standard blade opening: 90°