

PBO-2

Hookstick Operated
Disconnect Switches
1200 & 2000 Amp

Reliable, Cost Effective Hookstick Switches

The PBO-2 is the most recent addition to the Southern States hookstick line of products. Following in the footsteps of the PBO and PBO-1, the PBO-2 is a reliable hookstick designed to meet ANSI requirements. Utilizing the more than 80 years of hookstick design and manufacturing experience, the PBO-2 provides a highly reliable and cost effective solution for your hookstick requirements.

FEATURES

- Safe, low effort opening and closing
- Trussed blade allows it to be closed from angles to either side
- PBO-2 is designed to ANSI temperature rise standards
- Inverted insulators standard
- Tinned copper terminal pads
- "V" mounting configurations available

SPECIFICATIONS

Maximum Voltage Ratings

15.5 kV – 48.3 kV

Continuous Current Rating

1200A - 2000A

Short Time Current (3 Sec)

38 kA - 44 kA

Peak Withstand Current

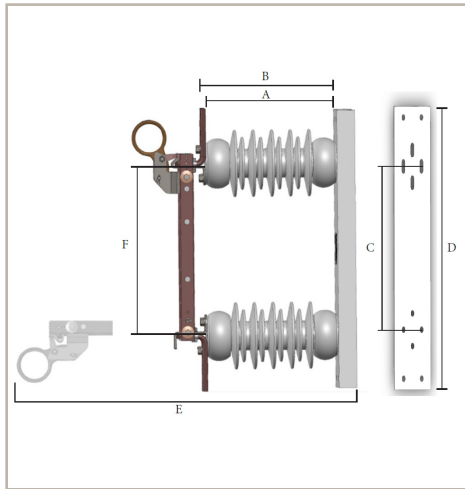
99 kA - 114 kA

PBO-2

Hookstick Operated
Disconnect Switches
1200 & 2000 Amp

RATINGS

Maximum Voltage Rating (kV)	15.5	27	38
	1200 Amp		
Short Time	38 kA, 3 sec		
Peak	99 kA		
	2000 Amp		
Short Time	44 kA, 3 sec		
Peak	114 kA		



DIMENSIONS

Max Voltage	DIMENSIONS						WT.		
	A in (mm)	B in (mm)	C in (mm)	D in (mm)	E in (mm)		Lb. (kg)		
	1200 A & 2000 A				1200 A	2000 A	1200A & 2000A	1200 A	2000 A
15.5 kV	10 (254)	10½ (266.7)	15 (381)	26½ (673.1)	37⅞ (943)	33¼ (844.6)	15½ (393.7)	60 (27.2)	88.9 (40.3)
27 kV	14 (355.6)	14½ (368.3)	18 (457.2)	29½ (749.3)	40⅞ (1019.2)	36¼ (920.8)	17½ (444.5)	90.5 (41.1)	116.2 (52.7)
38 kV	18 (457.2)	18½ (469.9)	24 (609.6)	35½ (901.7)	46⅞ (1171.6)	42¼ (1073.2)	23½ (596.9)	127 (57.6)	145.0 (65.8)
48.3 kV	22 (558.8)	22½ (571.5)	30 (762)	41½ (1054.1)	52⅞ (1324)	48¼ (1225.6)	29½ (749.3)	166 (75.3)	176.5 (80.1)

CONSTRUCTION

- A – Switch blade is hard drawn copper
- B – Operating eye: cast bronze
- C – Latch: cast bronze
- D – Hinge and Jaw: one piece, formed copper with tinned terminal pad
- E – Jaw contacts: silver to silver. Hinge contacts: silver to silver
- F – Hot dip galvanized, steel channel base
- G – Jaw contact pressure and operating eye springs: stainless steel
- H – Bronze, heavy duty Belleville spring washers supply hinge contact pressure
- J – NEMA standard post insulators, or as specified

Note: Standard blade opening: 90°

