



PBO & PBO-1

Hookstick Operated
Disconnect Switches
2000 Amp

Reliable and Trouble Free Performers.

The PBO and PBO-1, single pole, hookstick operated disconnect switches have been proven outstanding and trouble-free performers in installations throughout the country. They are designed for use in the utility and industrial markets where reliability is critical. All models meet or exceed ANSI standards for this type of equipment.

FEATURES

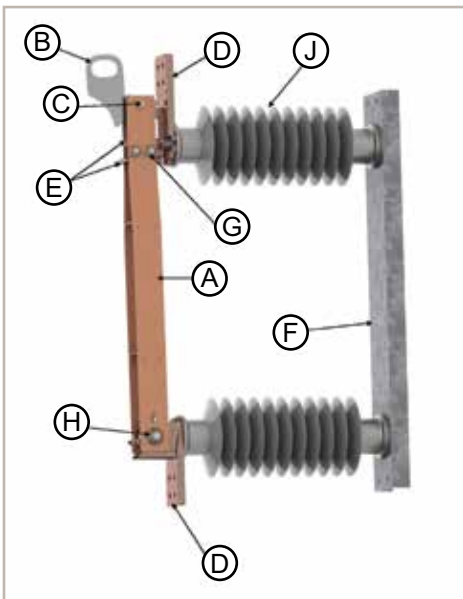
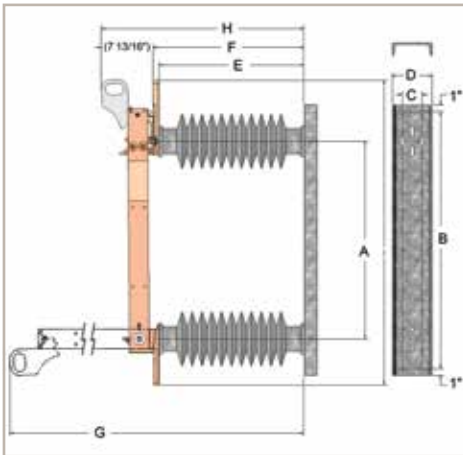
- Safe, low effort opening and closing
- Trussed blade allows it to be closed from angles to either side
- PBO is designed to NEMA 30° temperature rise standards
- PBO-1 is designed to ANSI temperature rise standards
- "V" mounting configurations available

SPECIFICATIONS

- Maximum Voltage Ratings**
8.25 kV – 72.5 kV
- Continuous Current Rating**
2000 A
- Short Time Current (3 Sec)**
50 kA & 63 kA
- Peak Withstand Current**
130 kA & 164 kA

PBO & PBO-1

Hookstick Operated
Disconnect Switches
2000 Amp



RATINGS (PBO)

Maximum Voltage Rating (kV)	8.3	15.5	27	38	48.3	72.5
Amp	2000					
Short Time/Peak	63 kA, 3 sec / 164 kA					
Temp Rise	NEMA 30°					
TR Insulator	202	205	208	210	214	216

RATINGS (PBO-1)

Maximum Voltage Rating (kV)	8.3	15.5	27	38	48.3
Amp	2000				
Short Time/Peak	50 kA, 3 sec / 130 kA				
Temp Rise	ANSI				
TR Insulator	202	205	208	210	214

DIMENSIONS

Max Voltage	DIMENSIONS								WT.
	A in (mm)	B in (mm)	C in (mm)	D in (mm)	E in (mm)	F in (mm)	G in (mm)	H in (mm)	Lb. (kg.)
8.3 kV	12 (304.8)	18 (457.2)	2 (50.8)	5 (127)	7½ (190.5)	8¾ (212.7)	46¼ (1174.8)	16⅞ (411.2)	96 (43.5)
15.5 kV	15 (381)	21 (533.4)	2 (50.8)	5 (127)	10 (254)	10⅞ (276.2)	49¼ (1251)	18⅞ (474.7)	107 (48.5)
27 kV	18 (457.2)	24 (609.6)	2 (50.8)	5 (127)	14 (355.6)	14⅞ (377.8)	52¼ (1327.2)	22⅞ (576.3)	134 (60.8)
38 kV	24 (609.6)	30 (762)	2 (50.8)	5 (127)	18 (457.2)	18⅞ (479.4)	58¼ (1479.6)	26⅞ (677.9)	161 (73.0)
48.3 kV	30 (762)	39 (990.6)	3 (76.2)	6 (152.4)	22 (558.8)	22⅞ (581)	64¼ (1632)	30⅞ (779.5)	186 (84.4)
72.5 kV	42 (1066.8)	51 (1295.4)	3 (76.2)	6 (152.4)	30 (558.8)	30⅞ (784.2)	76¼ (1936.8)	38⅞ (982.7)	253 (114.8)

CONSTRUCTION

- A – Switch blade is hard drawn copper
- B – Operating eye: stainless steel
- C – Latch: cast bronze
- D – Hinge and Jaw: one piece, solid cast bronze, tinned if specified
- E – Jaw contacts: silver to copper. Hinge contacts: silver to copper (silver to silver optional)
- F – Hot dip galvanized, steel channel base
- G – Jaw contact pressure and operating eye springs: stainless steel
- H – Bronze, heavy duty Belleville spring washers supply hinge contact pressure
- J – NEMA standard post insulators, or as specified

Note: Blade opening can be specified at 90°, 135° or 180° upon request