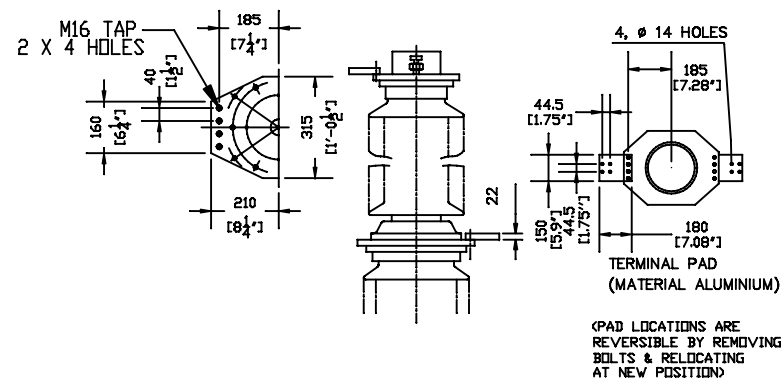
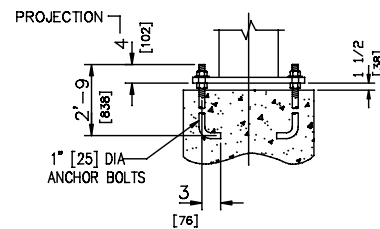


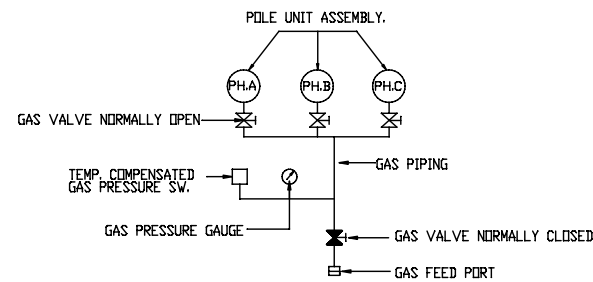
DETAIL OF UPPER AND LOWER TERMINAL PADS



ANCHOR BOLT DETAIL

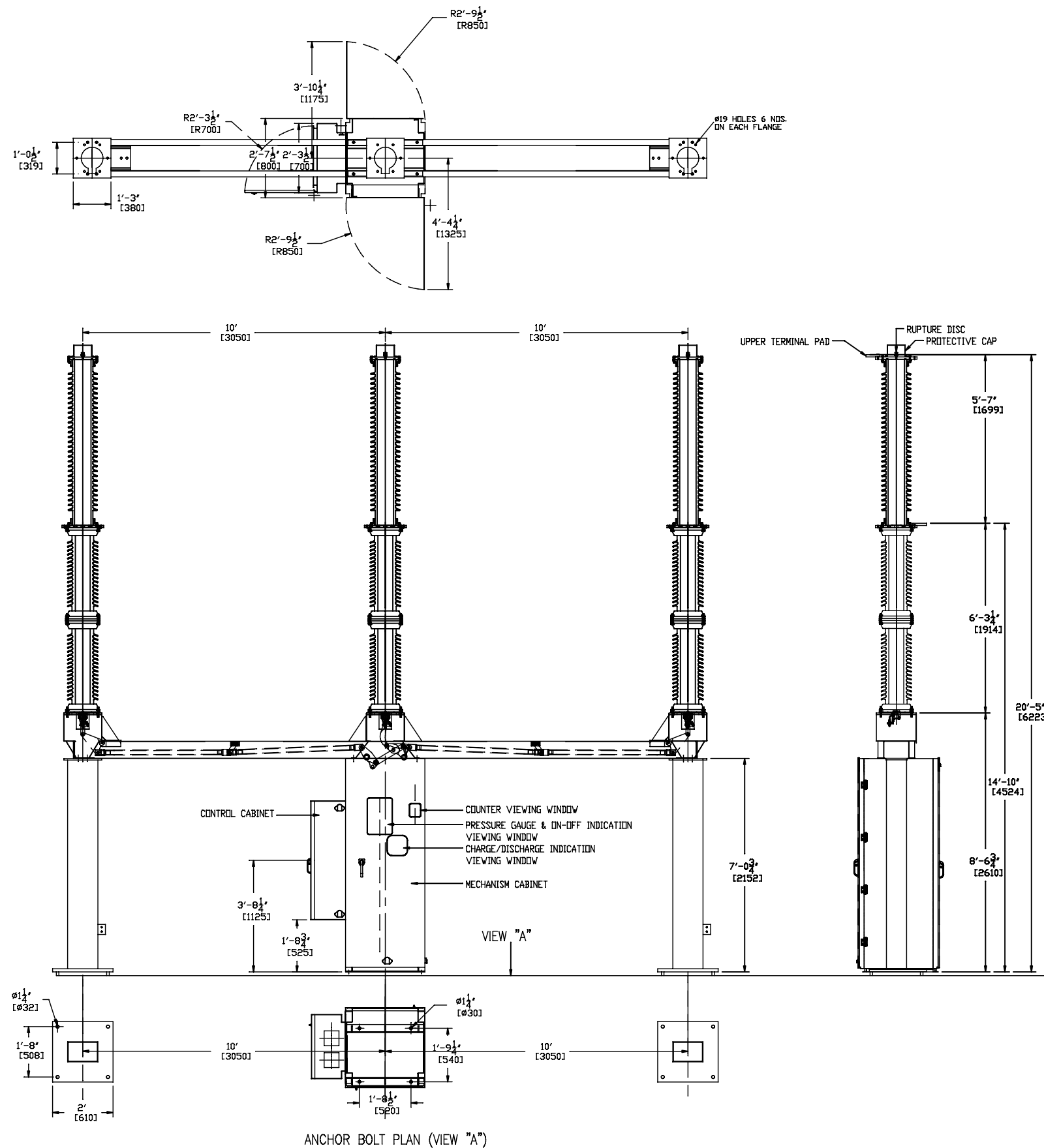


SF6 GAS SCHEMATIC DIAGRAM



FOUNDATION LOADS

FOUNDATION LOADS PER COLUMN	
COMPRESSION	9674 lb
TENSION	392 lb
OVERTURNING MOMENT	14707 ft.lb
SHEAR	1608 lb
BOLT LOADS (MAX.) PER BOLT	
COMPRESSION	4441 lb
TENSION	1441 lb
SHEAR	268 lb
FOUNDATION LOADS BASED ON g=0.2, WIND = 90 mph, ICE = 3/4'	



NOTE: DIMENSIONS SHOWN IN 'I J' ARE IN MILLIMETERS. OTHER DIMENSIONS ARE IN INCHES

PROPOSAL DRAWING

NOT FOR CONSTRUCTION
SPECIFICATIONS SUBJECT
TO CHANGE

SS Southern States, LLC

30 Georgia Avenue
Hampton, Georgia 30228-2199
Telephone: 770-946-4562
FAX 770-946-8106

PROPOSAL OUTLINE
CSV- 242 KV
120" PHASE SPACING

SCALE: 1:25

DRAWN	11/02/06	PVP	PROPOSAL DRAWING
NOT FOR CONSTRUCTION, SPECS. SUBJECT TO CHANGE			

PD-CSV 242 kV_120"

REV.