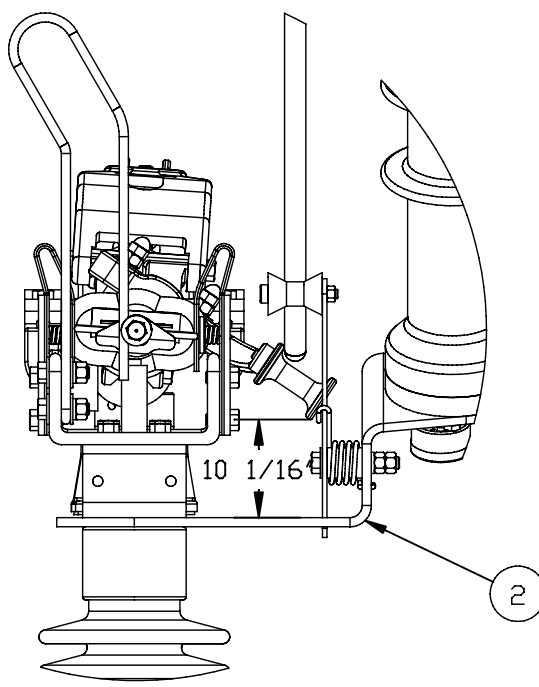


B-PD-061909-RCL		BILL OF MATERIAL		✓	REV. V
LLS I INTERRUPTER MOUNTED ON TYPE EV-2 SWITCH HORIZONTAL MOUNTING 72.5 kV 2000A					
ITEM	DESCRIPTION	PCS	DWG SIZE	PART NO.	BASIC
1	LLS I INTERRUPTER			X	3
2	MOUNTING KIT			X	3
3	ROLLER ARM ASSEMBLY			X	3
4	NAMEPLATE			X	4
5	ARC HORN ASSEMBLY			X	3
6	#6 X 5/16 ST. STL. DRIVE SCREW			01150187	16
7	MISC MOUNTING HARDWARE			X	XX
8					
9					
10					
11					
CONTROL COUNT					7

	LB	kg
INTERRUPTER ASSY	72	32.7
ROLLER ARM ASSY	2	0.9
ARC HORN ASSY	1	0.5
SF <sub>6</sub> GAS	0.5	0.2
TOTAL WEIGHT	75.5	34.3



MAXIMUM VOLTAGE	72.5 kV
POWER FREQUENCY	60 Hz
LOOP SWITCHING/ PARALLEL SWITCHING	2000 A UP TO 242 kV WITH 30 kV MAX RECOVERY VOLTAGE
LINE/CABLE CHARGING SWITCHING CURRENT	300 A
LOAD SWITCHING CURRENT	2000 A
CAPACITOR BANK RATING	300 A 72 kV UNGROUNDED
TEMPERATURE RANGE	-40°C TO +50°C
SF <sub>6</sub> GAS MINIMUM PRESSURE	52 PSIG
SF <sub>6</sub> FILL PRESSURE	65 PSIG

**PROPOSAL DRAWING**  
NOT FOR CONSTRUCTION  
SPECIFICATIONS SUBJECT  
TO CHANGE

**LLS<sup>®</sup> I** x

72.5 kV MAX. INTERRUPTING RATINGS  
 LOAD 2000 A LINE CHARGING 300 A  
 LOOP SPLITTING 2000 A  
 65 PSIG NOMINAL PRESSURE AT 20°C  
 STYLE 84000141 MFR. DATE \_\_\_\_\_

**SS** Southern States  
Hampton, GA 30228 USA

DETAIL A  
SCALE 1 : 8

ZONE	REV.	DESCRIPTION	DATE	BY
		REVISIONS		

DRAWN	NAME	DATE	Southern States, Inc. Hampton, GA
PSD		06-19-09	
CHIEF ENG.			TITLE: LLS I 72.5 KV 2000 A LOAD AND LINE SWITCHER TYPE EV-2 HOR MTG  DO NOT SCALE DRAWING
UNLESS OTHERWISE SPECIFIED: DIMENSIONS ARE IN INCHES TOLERANCES: FRACTIONAL ± 1/16 ANGULAR: MACH ± 1 BEND 1 .XX ± 0.015 .XXX ± 0.005			
THE INFORMATION CONTAINED IN THIS DRAWING IS THE SOLE PROPERTY OF SOUTHERN STATES, INC. ANY REPRODUCTION IN PART OR AS A WHOLE WITHOUT THE WRITTEN PERMISSION OF SOUTHERN STATES, INC. IS PROHIBITED.			SIZE DWG. NO. B PD-061909-RCL REV 1
SCALE: 1:20			