

MARK	DESCRIPTION	VOLTAGE	CURRENT
TC	TRIP COIL	48 VDC	16 A
M	MOTOR	125 VDC	4 A
MCR	MOTOR CONTROL RELAY	120 VAC	4 A
52a	NORMALLY OPEN CONTACT		
52b	NORMALLY CLOSED CONTACT		
EC	ELECTRICAL CONNECTOR		
52b_f	FAST OPENING N. C. CONTACT		
TB	TERMINAL BLOCK		
SH	HEATER - 160 W		

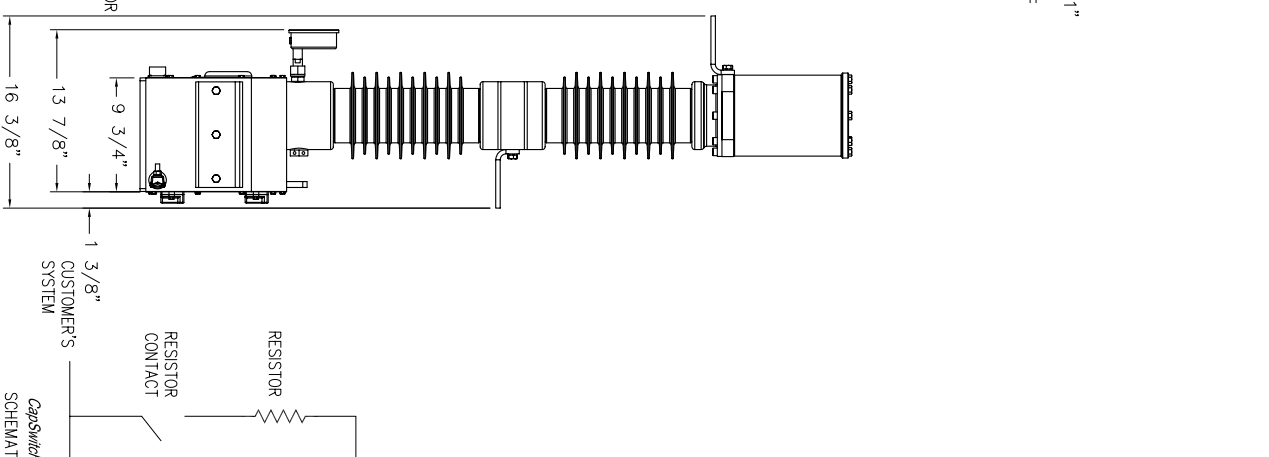
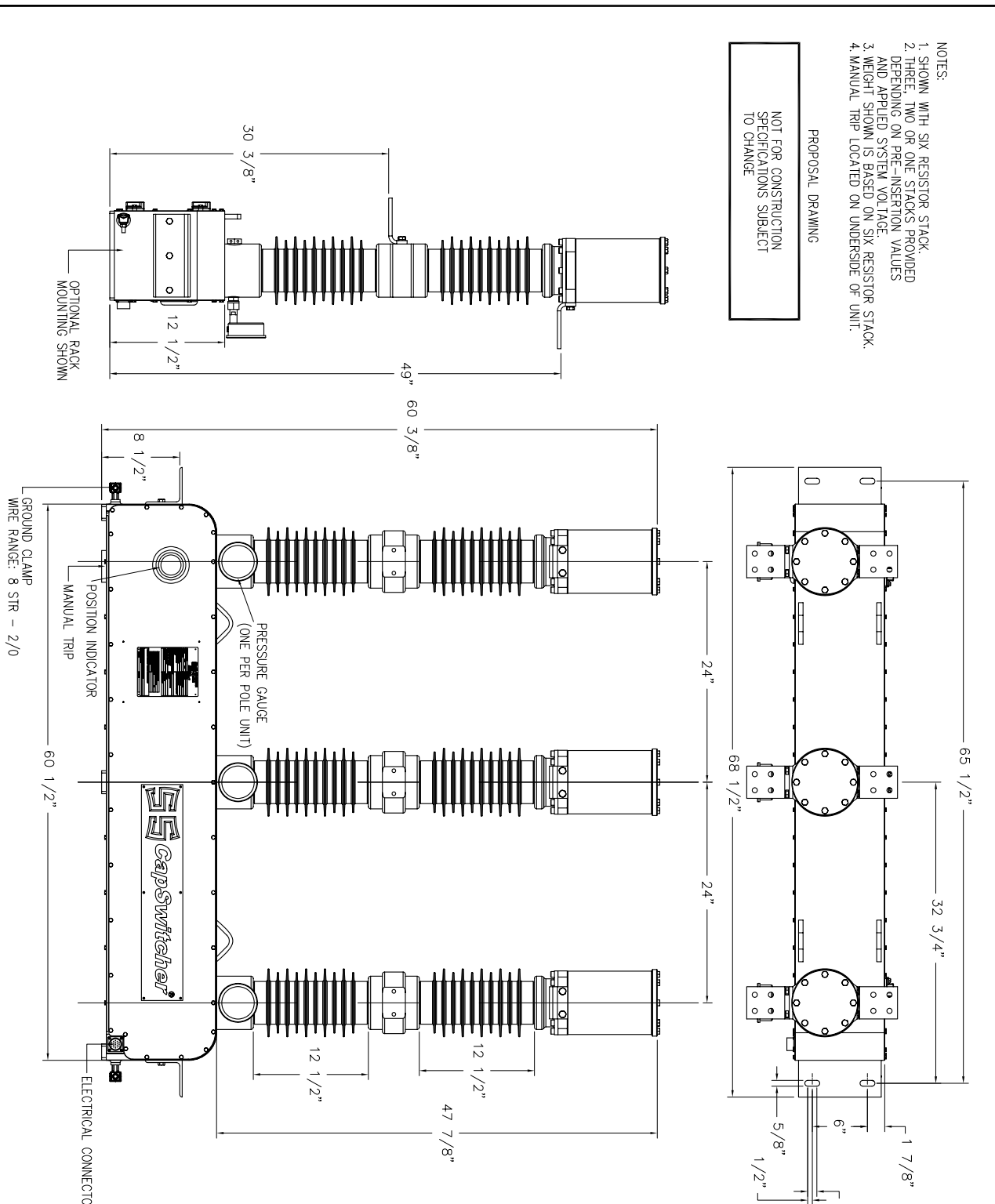
PIN NO.	WIRE #	WIRE COLOR	TERMINATION
EC1	J1	BLACK	POSITIVE
EC2	J2	WHITE	NEGATIVE
EC3	K5	RED	TRIP
EC4	K6	GREEN	CLOSE
EC5	B1	ORANGE	52b-1
EC6	B2	BLUE	52b-2
EC7	B3	WHT-BLK	52b-3
EC8	B4	RED-BLK	52b-4
EC9	B5	GRN-BLK	52b-5
EC10	B6	ORN-BLK	52b-6
EC11	A1	BLU-BLK	52a-13
EC12	A2	BLK-WHT	52a-14
EC13	A3	RED-WHT	52a-15
EC14	A4	GRN-WHT	52a-16
EC15	A5	BLU-WHT	52a-17
EC16	A6	BLK-RED	52a-18
EC17	H1	WHT-RED	LINE - HEATER VOLTAGE
EC18	H2	ORN-RED	NEUTRAL - HEATER VOLTAGE
EC19	K1	BLU-RED	TRIP COIL MONITOR

MARK	DESCRIPTION	VOLTAGE	CURRENT
TC	TRIP COIL	48 VDC	16 A
M	MOTOR	125 VDC	4 A
MCR	MOTOR CONTROL RELAY	120 VAC	4 A
52a	NORMALLY OPEN CONTACT		
52b	NORMALLY CLOSED CONTACT		
EC	ELECTRICAL CONNECTOR		
52b_f	FAST OPENING N. C. CONTACT		
TB	TERMINAL BLOCK		
SH	HEATER - 160 W		

- NOTES:
- AUXILIARY SWITCHES ARE SHOWN FOR OPEN *CapSwitcher*®
 - AUXILIARY CONTACTS ARE SHOWN IN DE-ENERGIZED POSITION
 - 52a CONTACTS ARE OPEN WHEN *CapSwitcher*® IS OPEN
 - 52b CONTACTS ARE CLOSED WHEN *CapSwitcher*® IS OPEN
 - HEATERS ARE TO OPERATE ON 120 VAC
 - FROM CLOSE SIGNAL, MOTOR CHARGES IN 10 SECONDS AND AUTOMATICALLY CLOSES, OPENING ON COMMAND WITH NO DELAY.

- NOTES:
- SHOWN WITH SIX RESISTOR STACK
 - THREE TWO OR ONE STACKS PROVIDED DEPENDING ON PRE-INSERTION VALUES AND APPLIED SYSTEM VOLTAGE
 - WEIGHT SHOWN IS BASED ON SIX RESISTOR STACK.
 - MANUAL TRIP LOCATED ON UNDERSIDE OF UNIT.

PROPOSAL DRAWINGS
NOT FOR CONSTRUCTION
SPECIFICATIONS SUBJECT
TO CHANGE



15.5 kV	27 kV	38 kV
2-6 MVAR 20 OHMS	3-6 MVAR 30 OHMS	3-6 MVAR 90 OHMS
6-1-9 MVAR 10 OHMS	6-1-16 MVAR 20 OHMS	6-1-16 MVAR 30 OHMS
9-1-16 MVAR 6 OHMS	16-1-27 MVAR 12 OHMS	16-1-40 MVAR 12 OHMS

RATED MAXIMUM VOLTAGE	15.5 kV	27 kV	38 kV
RATED POWER FREQUENCY WITHSTAND VOLTAGE	50 kV	60 kV	80 kV
RATED LIGHTNING IMPULSE WITHSTAND VOLTAGE (BIL)	110 kV	150 kV	200 kV
RATED POWER FREQUENCY		50/60 Hz	
RATED CONTINUOUS CURRENT		600 A	
PEAK FAULT-MAKING (ASYMMETRICAL) {10 CYCLES}		65 KA PEAK	
SYMMETRICAL FAULT-MAKING {10 CYCLES}		25 KA RMS	
PEAK WITHSTAND CURRENT		65 KA PEAK	
SHORT-TIME SYMMETRICAL WITHSTAND		25 KA RMS 1 SEC.	
RATED HIGH-FREQUENCY TRANSIENT-MAKING CURRENT		42 KA PEAK, 8.1 KHZ	
RATED TRIP ON UNBALANCED BANK		2000 A	
OPERATING DUTY CYCLE		15 SEC - C - 6 CYCLES - 0	
		CAPACITOR BANK MUST BE DISCHARGED TO BELOW 10 % BEFORE CLOSING IS ALLOWED	
INTERRUPTER INSULATOR		CREEP DISTANCE 33.46 INCHES (850 mm)	
INSULATOR STRIKE		STRIKE DISTANCE 11.38 INCHES (289 mm)	
CAPACITOR SWITCHING RATINGS			
SHUNT CAPACITIVE SWITCHING CURRENT		600 A	
BACK-TO-BACK CAPACITOR BANK BREAKING CURRENT		600 A	
RATED HIGH-FREQUENCY TRANSIENT MAKING CURRENT / TRANSIENT INRUSH FREQUENCY		23 KA PEAK / 5400 HZ	
RESISTOR VALUES		6, 10, 12, 20, 30 & 90 OHMS PRE-INSERTION TIME 5-12 MS	
ENVIRONMENTAL RATINGS			
TEMPERATURE		STANDARD +50C TO -50C.	
GAS FILL PRESSURE		52 PSIG NOM / 32 PSIG MIN	
ENDURANCE RATING		10,000 OPERATIONS (CO)	
WEIGHT		475 LBS.	

THIS DRAWING AND THE INFORMATION HEREIN ARE THE PROPERTY OF SOUTHERN STATES, LLC. IT IS TO BE USED ONLY FOR THE PROJECT AND SITE SPECIFICALLY IDENTIFIED HEREIN. ANY REUSE OR MODIFICATION OF THIS DRAWING WITHOUT THE WRITTEN APPROVAL OF SOUTHERN STATES, LLC IS STRICTLY PROHIBITED.

Southern States, LLC
30 DORNA DRIVE
MARIETTA, GA 30067
TEL: (770) 946-6622
FAX: (770) 946-6628

15.5 kV-38 kV *CapSwitcher*®
OUTLINE AND SCHEMATIC DIAGRAM
48 VDC, 125 VDC, OR 120 VAC CONTROL
120 VAC HEATER

DATE	SCALE	BY	CHKD	APP'D	SHEET NO.	OF	SHEETS
1/10	9/16/06	MS	MS	MS	1	1	1

PD 38 kV AND BELOW CAP