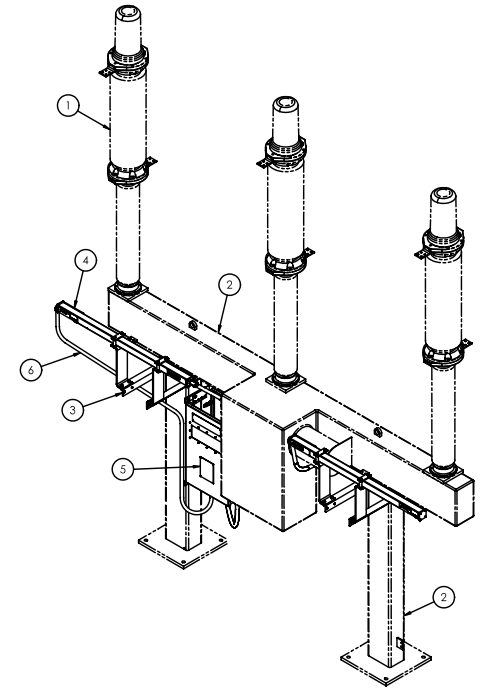
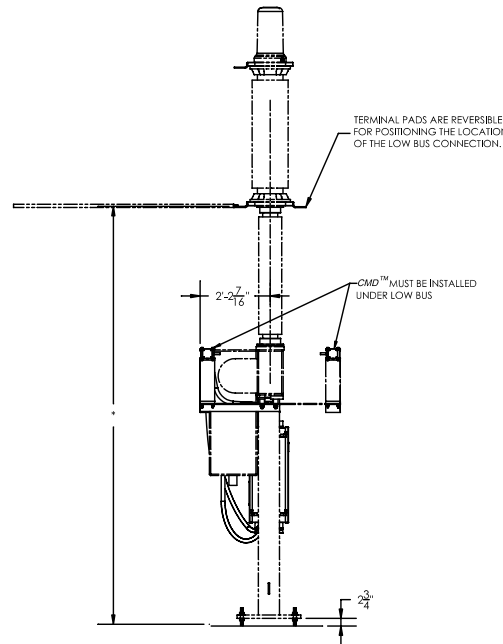
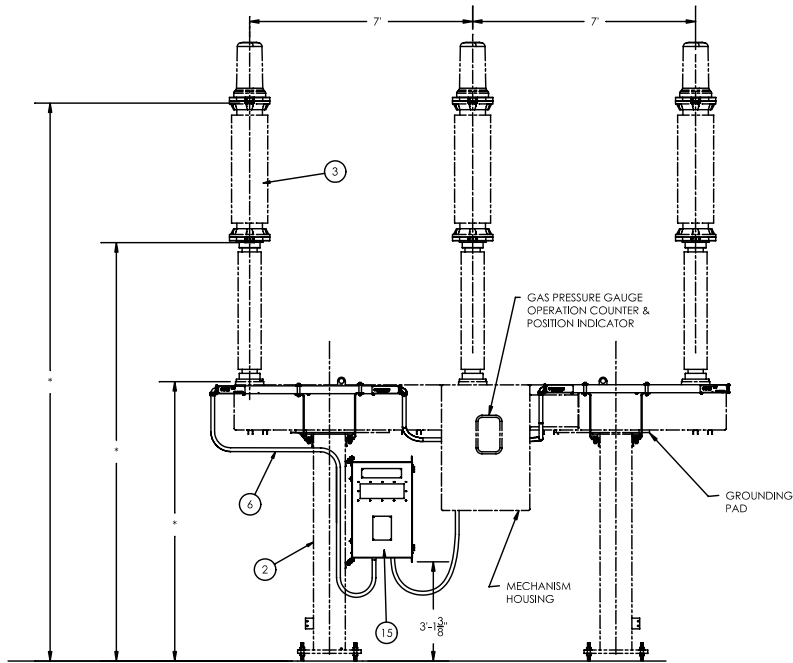
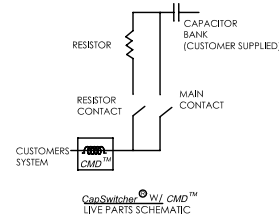
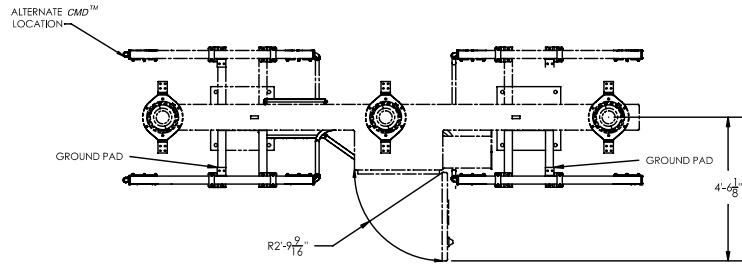


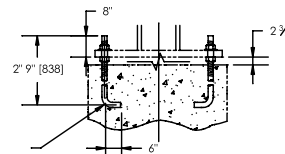
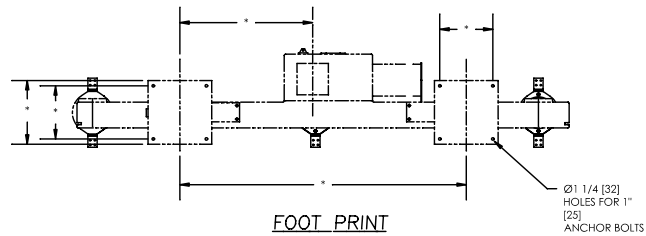
D-PD-CMD-121		BILL OF MATERIAL		REV
OUTLINE FOR capSwitcher™ 121 kV CapSwitcher®				
ITEM	DESCRIPTION	QTY	PART NO.	REV
2	CapSwitcher® CapSwitcher			1
3	CapSwitcher® INTERRUPTERS BASE & STRUCTURE			4
4	CMD™ SUPPORT			2
5	CMD™ WAND			1
6	CONTROL CABINET CONDUIT			1



PROPOSAL DRAWING

NOT FOR CONSTRUCTION
SPECIFICATIONS SUBJECT
TO CHANGE

RATINGS	
RATED MAXIMUM VOLTAGE	145 kV
RATED SHORT TIME WITHSTAND	40 kA RMS 1 sec / 104 kA PEAK
AMBIENT TEMP. RATING	-40°C TO +50°C
BIL	650 kV



NOTE: DIMENSIONS SHOWN IN "1" ARE IN MILLIMETERS. OTHER DIMENSIONS ARE IN FEET AND INCHES.

THE DRAWING AND THE INFORMATION HEREIN ARE THE PROPERTY OF SOUTHERN STATE, LLC AND ARE PROVIDED FOR THE EXCLUSIVE USE OF OUR CUSTOMER. SUPPLIERS AND VENDORS: THE DRAWING OR INFORMATION IS NOT TO BE DELIVERED OR SHOWN TO ANY OTHER PARTY WITHOUT THE SPECIFIC WRITTEN APPROVAL OF SOUTHERN STATE, LLC.

DATE	REVISION	DESCRIPTION	BY	CHKD	APP'D

SCALE: 1/15

DATE: 11/15

PREP: [Signature]

REV: 1

SHEET 1 OF 1

1. REMOVE ALL BURRS AND SHARP EDGES
2. FINISH NONE