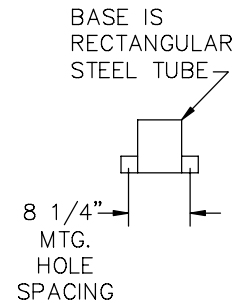
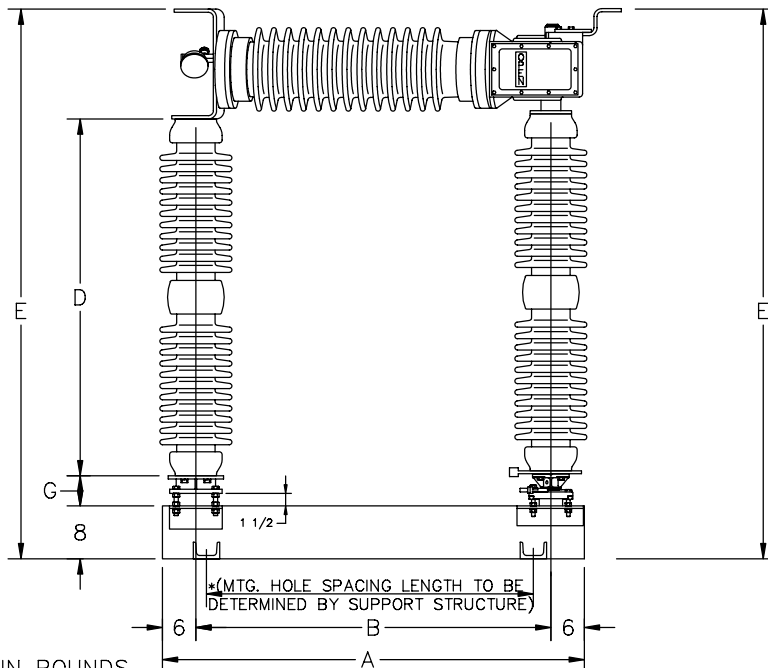
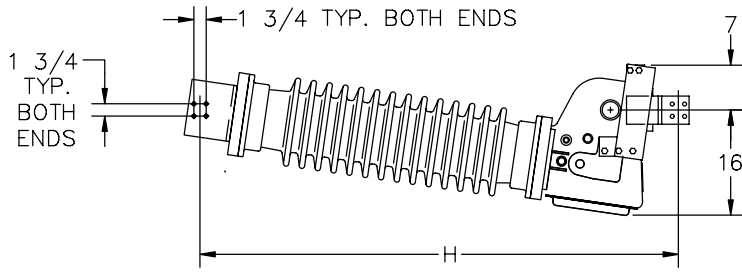


# RATINGS AND DIMENSIONS TYPE LSH (55LLC BEARINGS)



WEIGHT IN POUNDS.  
DIMENSIONS IN INCHES.

kV	INS. BIL. kV	INTER. BIL. kV	INSUL. TYPE	DIMENSIONS IN INCHES (APPROX.)							NET WEIGHT EACH SINGLE POLE UNIT WITH INSUL. (LESS PIPE & CONTROLS)
				A BASE LENGTH	B INSUL. SPACING	D INSUL. HEIGHT	E TERMINAL PAD HEIGHT	G INSUL. MTG. SPACER	H TERMINAL PAD SPACING		
15.5	110	350	TR-225	69 3/8	57 3/8	12	41 1/2	4 7/8	68	976	
25.8	150	350	TR-227	69 3/8	57 3/8	15	44 1/2	4 7/8	68	1004	
38.0	200	350	TR-231	69 3/8	57 3/8	20	49 1/2	4 7/8	68	1036	
48.3	250	350	TR-267	69 3/8	57 3/8	24	53 1/2	4 7/8	68	1110	
72.5	350	350	TR-276	69 3/8	57 3/8	30	59 1/2	4 7/8	68	1152	
121	550	550	TR-286	69 3/8	57 3/8	45	74 1/2	4 7/8	68	1210	
145	650	650	TR-288	84 1/2	72 1/2	54	83 1/2	4 7/8	83 1/8	1260	
169	750	750	TR-291	84 1/2	72 1/2	62	91 3/8	4 7/8	83 1/8	1340	
242	900	900	TR-304	93 1/2	81 1/2	80	109 1/2	4 7/8	92 1/8	1750	

TYPICAL WEIGHT OF PIPE & CONTROLS 400 LBS (TOTAL FOR 3 PHASE UNIT). TYPICAL WEIGHT OF MOTOR OPERATOR 250 LBS.